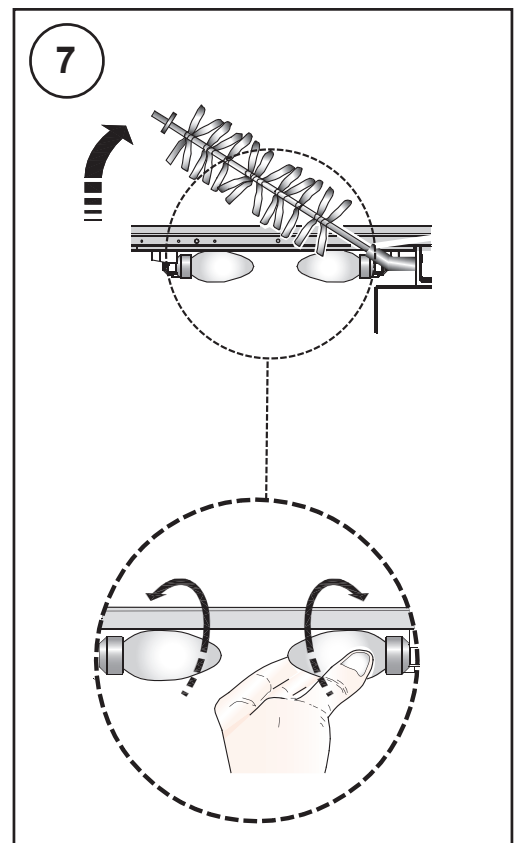
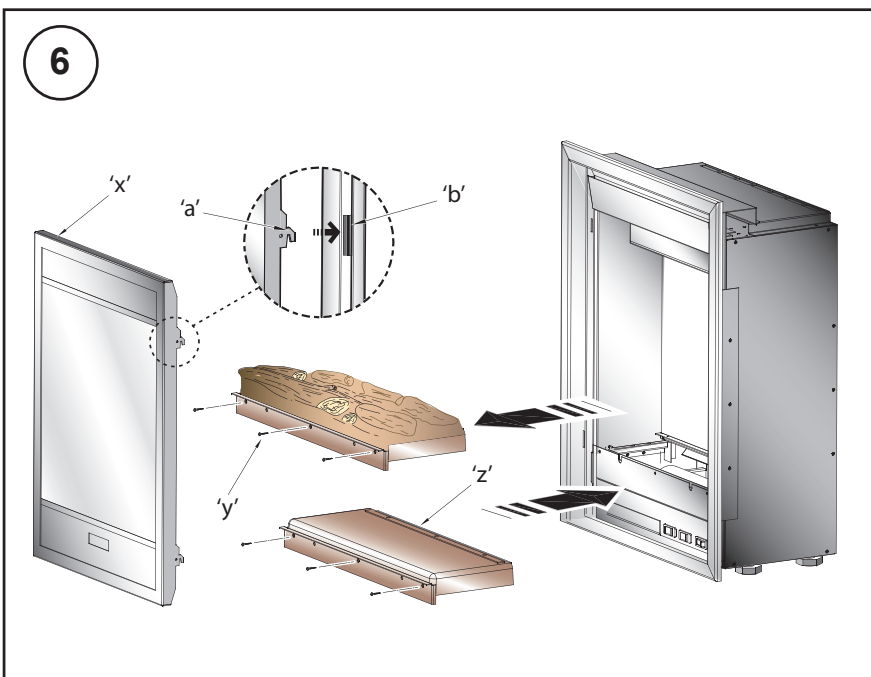
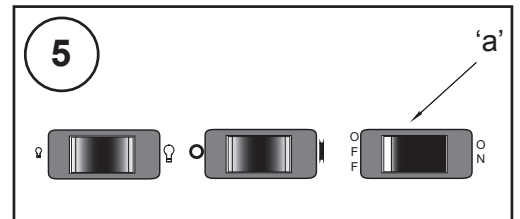
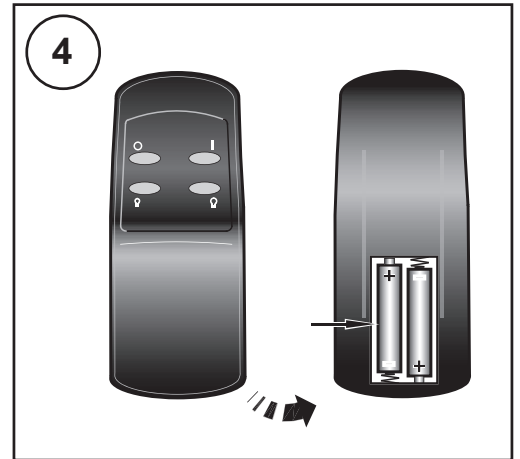
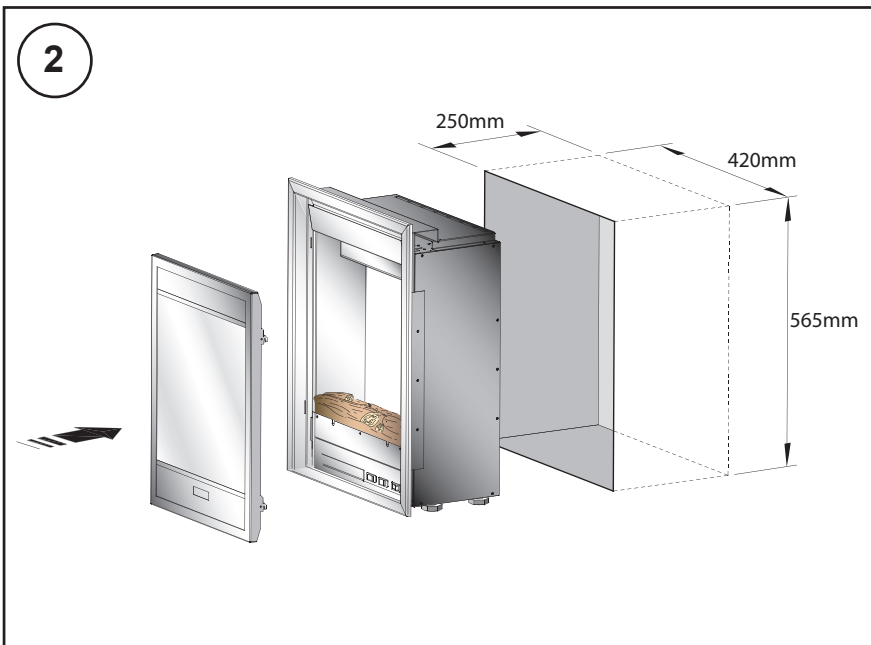
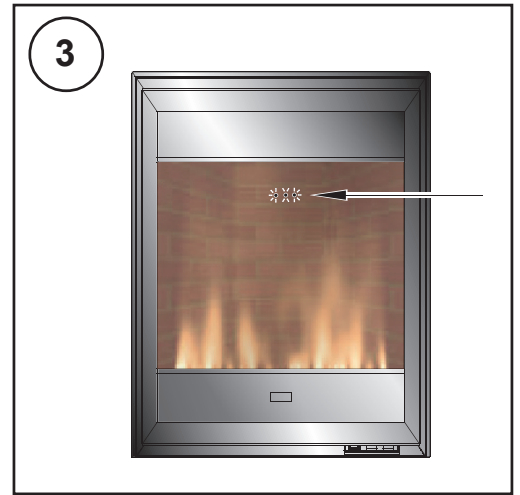
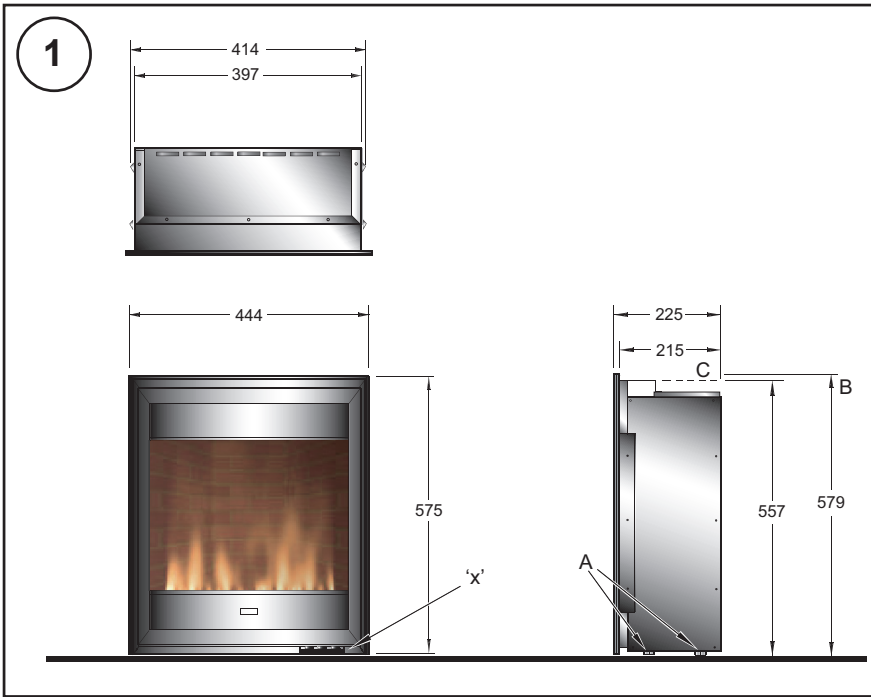


TIMRA TMR15





Important Safety Advice

When using electrical appliances, basic precautions should always be followed to reduce the risk of fire, electrical shock, and injury to persons, including the following:

If the appliance is damaged, check with the supplier before installation and operation.

Do not use this heater in the immediate surroundings of a bath, shower or swimming pool.

Do not locate the heater immediately below a fixed socket outlet or connection box.

Do not cover or obstruct in any way the heat outlet grille located at the top of the heater or the heat outlet at the base of the heater. Overheating will result if the heater is accidentally covered.

The appliance is not intended for use by young children or infirm persons unless they have been adequately supervised by a responsible person to ensure that they can use the appliance safely.

Young children should be supervised to ensure they do not play with the appliance.

In the event of a fault unplug the heater.

Unplug the heater when not required for long periods.

Ensure that furniture, curtains or other combustible material are positioned no closer than 1 metre from the heater.

Although this heater complies with safety standards, we do not recommend its use on deep pile carpets or on long hair type of rugs.

The appliance must be positioned so that the plug is accessible.

Do not use this heater in series with a thermal control, a program controller, a timer or any other device that switches on the heat automatically, since a fire risk exists when the heater is accidentally covered or displaced.

If the supply cord is damaged it must be replaced by the manufacturer or service agent or a similarly qualified person in order to avoid a hazard.

General

Unpack the heater carefully and retain the packaging for possible future use, in the event of moving or returning the fire to your supplier. Loose pebbles, a flat fuel bed, a remote control and batteries are packed separately within the carton.

The fire is supplied fitted with a 'log fuel effect'. To change from the 'log fuel effect' to 'pebbles fuel effect' see 'Lamp/Fuel effect Replacement'.

This fire incorporates a flame effect which can be used with or without heating, so that comforting effect may be enjoyed at any time of the year. The flame effect is provided by a low wattage motor and two 60 watt lamps. Using the flame effect on its own, therefore, requires little electricity.

The controls are located at the bottom right hand corner of the appliance (see 'x' in Fig. 1). A choice of 750W or 1500W heat output is provided by the fan heater, which is concealed at the top of the heater behind the removable front panel.

The fire is designed to be fitted into a large fireplace opening or a purpose built structure - see Fig. 2 for recommended sizes for opening.

Please note: Used in an environment where background noise is very low, it may be possible to hear a sound which is related to the operation of the flame effect. This is normal and should not be a cause for concern.

Electrical connection

WARNING – THIS APPLIANCE MUST BE EARTHED.

This heater must be used on an AC ~ supply only and the voltage marked on the heater must correspond to the supply voltage.

Before switching on, please read the safety warnings and operating instructions.

Installation

The fire is designed to be fitted into a large fireplace opening or a purpose built structure - see Fig. 2 for recommended sizes of opening. The installation of a purpose built structure should be carried out by a competent person. If in doubt please consult your local builder.

Seal all draughts and vents to prevent chimney debris from falling onto the Fireplace Insert. Do not install into an existing fireplace that is prone to dampness.

At the base of the fire, four adjustable feet (see 'A' in Fig. 1) are provided for levelling the fire where the base of the fireplace opening is raised above the level of the hearth.

Adjust by turning the feet until the desired height has been reached.

Operation

The controls are located at the bottom right hand corner of the appliance - see 'x' in Fig. 1.

Connect the fire to your electricity supply.

Note: When either the remote control or the manual controls are used the neon's will come on for 3 seconds indicating the appropriate setting - see Fig. 3.

Manual Operation

Note: The Standby Switch (see 'a' in Fig. 5) must be first turned on to operate either the manual or the remote controls. The red indicator mark on the switch will be visible when it is turned on.

Setting	Operation	Indication
Flame effect	Press the 'I' button once	Left Neon
Flame effect & 750W heat setting	Press the 'I' button again	Left & Middle Neon
Flame effect & 1500W heat setting	Press the 'I' button again	All 3 neon's

To turn off any of the settings press the 'O' button once.

To increase or decrease the brightness of the fuel effect use the buttons 'Q' as shown in Fig. 5.

Initializing the Remote Control

Note: The remote control is packed separately in the carton.

- Slide open the battery cover on the back of the remote transmitter.
- Install the AAA batteries into the remote control (see Fig. 4).
- Replace battery cover.

Dispose of batteries in the proper manner according to Provincial and local regulations. Any battery may leak electrolyte if mixed with a different battery type, if inserted incorrectly, if all the batteries are not replaced at the same time, if disposed of in a fire or if an attempt is made to charge a battery not intended to be recharged.

Remote Control Operation

Warning: It takes some time for the receiver to respond to the transmitter. Do not press the buttons more than once within two seconds for correct operation.

Setting	Operation	Indication
Flame effect	Press the 'I' button once	Left Neon
Flame effect & 750W heat setting	Press the 'I' button again	Left & Middle Neon
Flame effect & 1500W heat setting	Press the 'I' button again	All 3 neon's

To turn off any of the settings press the 'O' button once.

To increase or decrease the brightness of the fuel effect use the buttons 'Q' as shown in Fig. 4.

Front Panel removal and refit

To gain access to the lamps or to change the fuel effect you must first remove the Front Panel. Remove the front panel (see 'x' in **Fig. 6**) by lifting up then out and carefully leave to one side.

To refit the front panel follow steps below:

1. Tilt the Front Panel at a slight angle, insert the top two latches (see 'a' in **Fig. 6**) into the top two slots (see 'b' in **Fig. 6**).
2. Insert the bottom two latches into slots.
3. Drop the Front Panel 'x' down until it slots into position, ensuring it is securely held in place.

Lamp/Fuel Effect Replacement

To gain access to the lamps

1. Remove the Front Panel (see 'x' in **Fig. 6**) by lifting up then out and carefully leave to one side.
2. Remove the three screws (see 'y' in **Fig. 6**) on the fuel effect.
3. Slide the fuel effect out, by holding the front ledge and set aside carefully (taking care not to damage the logs as they are fragile) – see **Fig. 6**.
4. For access to the bulbs, carefully rotate the flexible rotisserie out of position ensuring that the rubber grommet is not lost – see **Fig. 7**.
5. Unscrew the defective lamp anti-clockwise. Replace with a 230V, 60W E14 SES lamp, do not over tighten (see **Fig. 7**).
6. Refit the fuel effect (with three screws) and Front Panel.

To replace 'log fuel effect' with 'pebbles fuel effect'

1. Remove the Front Panel (see 'x' in **Fig. 6**) by lifting up then out and carefully leave to one side.
2. Remove the three screws (see 'y' in **Fig. 6**) on the fuel effect.
3. Slide the 'log fuel effect' out, by holding the front ledge and set aside carefully (taking care not to damage the logs as they are fragile and retain for possible future use) – see **Fig. 6**.
4. Fit the new flat bed fuel effect ('pebbles fuel effect') by sliding it in from the front, ensuring the bracket at rear (see 'z' in **Fig. 6**) slots under the inner glass panel.
5. Screw fix the flat fuel bed in position using the three screws
6. When flat fuel bed is in position, place the pebbles carefully on top.
7. Refit Front Panel (see 'x' in **Fig. 6**)

Thermal Safety Cut-out

For your safety, this appliance has been fitted with thermal cut-out. In the event that the product overheats, the cut-out switches the heat off automatically.

To bring the heat back into operation, remove the cause of the overheating, then unplug or turn off the electrical supply to the heater for up to 10 minutes.

When the heater has cooled sufficiently, re-connect and switch on the heater.

Caution: In order to avoid a hazard due to inadvertent resetting of the thermal cut-out, this appliance must not be supplied through an external switching device, such as a timer, or connected to a circuit that is regularly switched on and off by the utility

Cleaning and Maintenance

Warning: Always disconnect from the power supply before attempting any maintenance.

Cleaning

Before commencing cleaning, unplug the heater and allow it to cool.

The surface of the heater should be given an occasional wipe over with a soft damp cloth. Do not use detergents abrasive cleaning powder or polish on the body of the heater. The glass screen should be cleaned carefully with a chamois leather. Do not use proprietary glass cleaners.

After Sales Service

Should you require after sales service, please get in touch with the supplier through whom you purchased the appliance.

Please retain your receipt as proof of purchase.